

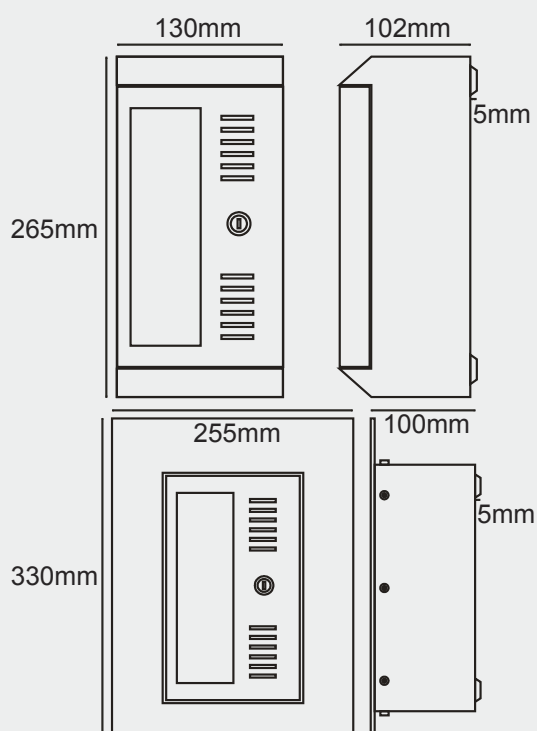
ZTS-PB Fireman Telephone Enclosures



The enclosures for the fireman's telephone are available in a variety of styles to suit a wide range of locations.

They are available with the following options:-

- Colour - Epoxy Painted Signal Red or Brushed Silver Steel
- Mounting options - Surface mounting, or flush mounting.
- Access - Pull handle, or Locked enclosure for restricted access
- These enclosures are sold separately.



MODEL	ZTS-PB/RSL	ZTS-PB/RSH	ZTS-PB/RFL	ZTS-PB/RFH
PART NO	195-100	195-105	195-110	195-115
COLOUR	Signal Red	Signal Red	Signal Red	Signal Red
MOUNTING	Surface	Surface	Flush	Flush
ACCESS	Key Lock	Handle	Key Lock	Handle

MODEL	ZTS-PB/SSL	ZTS-PB/SSH	ZTS-PB/SFL	ZTS-PB/SFH
PART NO	195-120	195-125	195-130	195-135
COLOUR	Stainless Steel	Stainless Steel	Stainless Steel	Stainless Steel
MOUNTING	Surface	Surface	Flush	Flush
ACCESS	Key Lock	Handle	Key Lock	Handle