

25 Years of Manufacturing Excellence



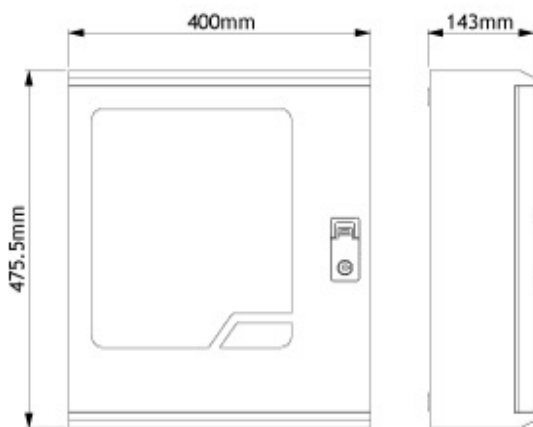
Fire Telephone

Commercial
Audio & Security PTY LTD
0861 4 823 822 . info@evac.co.za



Assessed to ISO 9001: 2008
Certificate number 330

Introduction



The Zeta Fire Telephone is a fully addressable system operating on a two wire open bus.

The ZAFT/M panel has a large LCD display with simple to use controls and capable of handling up to 70 addressable telephones and or telephone sockets

Model	ZAFT/M
Part No.	
No. of Channels	2
System Voltage	24VDC +/- 4V
Total Watts	50 Watts
Max Capacity	70 ZATS/II or ZAT
Max Bus Length	1000 metres
Bus Voltage	18VDC ~ 26VDC
Standby Current	< 200mA
Full Load Current	< 500mA
Operating Temperature	< 50°C
Relative Humidity	< 90% RH
Integral Power Supply	2.0 A
Dimensions (h x w x d)	475.5 x 400 x 143mm
Weight	
Max Battery Sizes	2 x 7 Ah

Product Features

- ✓ Large LCD & easy controls
- ✓ Password controlled (user and engineer)
- ✓ Call recording (up to 20 minutes) and play back function
- ✓ Historic memory of fault, recordings and playback
- ✓ Real time and date display

1 LED & LCD Test
2 Record Summary
3 Playback Recording
4 Fault Summary

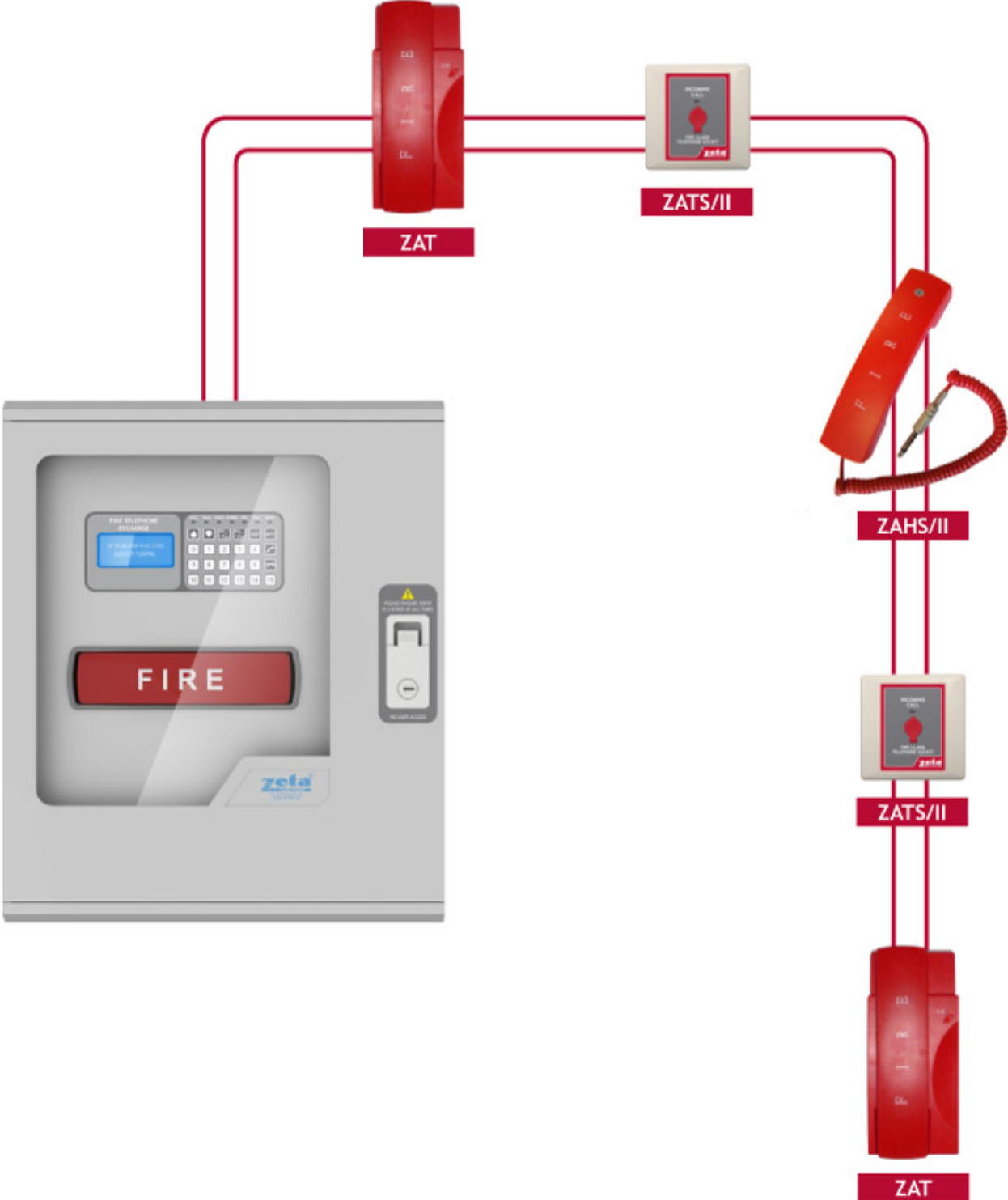
1 User PW Setup
2 Eng PW Setup

1 LED & LCD Test
2 Record Summary
3 Playback Recording
4 Fault Summary

1 Total Record
2 Call Log
3 Bus Contents

ZETA ALARM SYSTEMS
Fire Telephone
Menu
13-05-2013 15:28

Typical Wiring Diagram



Devices

ZATS/II

The ZATS/II Socket is an addressable device that can be surface or flush mounted and is equipped with LED indication which light up when called from the main panel.

To compliment the socket, the ZAHS/II extension handset can be used and by plugging the handset an automatic call is made to the main controller.

ZAT

The ZAT is an addressable telephone handset, the address is set by an integral dip switch. A call is automatically made when the handset is lifted and an integral buzzer will ring when called by main controller.



ZATS/II



ZAT

Model	ZATS/II	ZAT
Part No.		
Frequency Response	300 - 3400Hz	
Standby Current	< 2.5mA	
Off Hook Current	< 25mA	
Line Voltage Standby	15V DC to 28V DC	
Operating Temperature	0 - 50°C	
Relative Humidity	< 90% RH	