

LB1-UW06-Fx Cabinet Loudspeakers

www.boschsecurity.com



BOSCH
Invented for life



- ▶ Good speech intelligibility and background music reproduction
- ▶ Finished in white or black
- ▶ MDF construction
- ▶ Mounting brackets for wall or ceiling mounting
- ▶ Complies with international installation and safety regulations

The LB1-UW06-Fx is a 6 W, general-purpose, cost-effective loudspeaker for indoor use. Two brackets, fixed to the rear panel, are provided for quick and easy mounting on a wall or ceiling. The cabinet is available in the colors black or white.

Functions

The robust, solid MDF (medium density fiberboard) enclosures are covered with a durable, easy-to-clean vinyl in a choice of white or black. The ABS fronts are covered with fine woven cloth in matching color.

Certifications and approvals

All Bosch loudspeakers are designed to withstand operating at their rated power for 100 hours in accordance with IEC 268-5 Power Handling Capacity (PHC) standards. Bosch has also developed the Simulated Acoustical Feedback Exposure (SAFE) test to demonstrate that they can withstand two times their rated power for short durations. This ensures extra reliability under extreme conditions, leading to higher customer satisfaction, longer operating life, and much less chance of failure or performance deterioration.

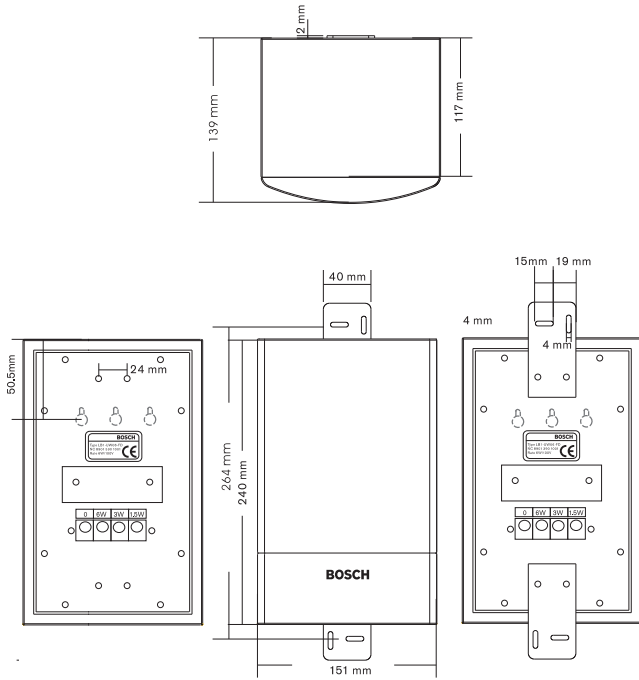
Safety

acc. to EN 60065

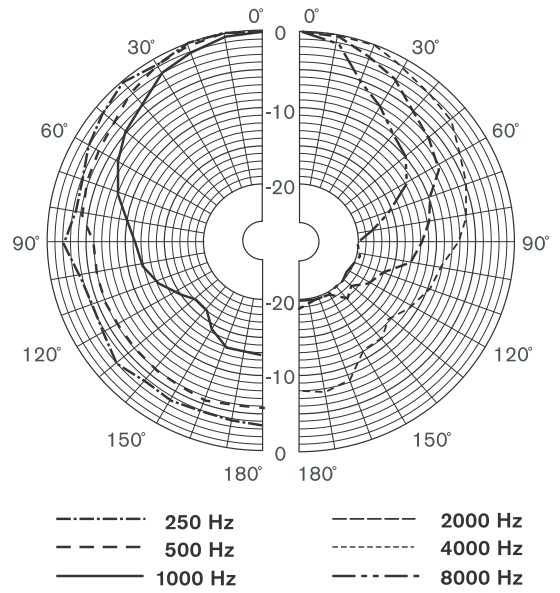
Installation/configuration notes

Two mounting brackets, fixed to the rear panel provide easy and quick wall mounting or ceiling mounting. If these are not desired, they can be removed, and the unit can still be wall mounted using the three keyholes in the rear panel.

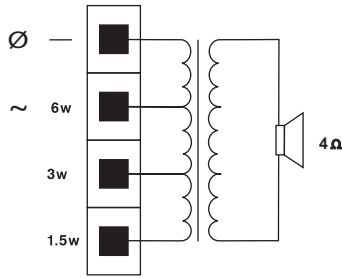
A convenient, easy-to-use, 4-pole push-in terminal block is on the rear panel for on-site wiring. This terminal block has provision for power tapping on the 100 volt matching transformer in the cabinet. It allows selection of nominal full-power, half-power or quarter-power radiation (in 3 dB steps).



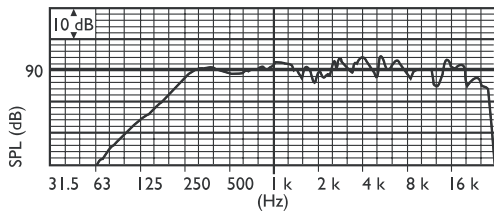
Dimensions in mm



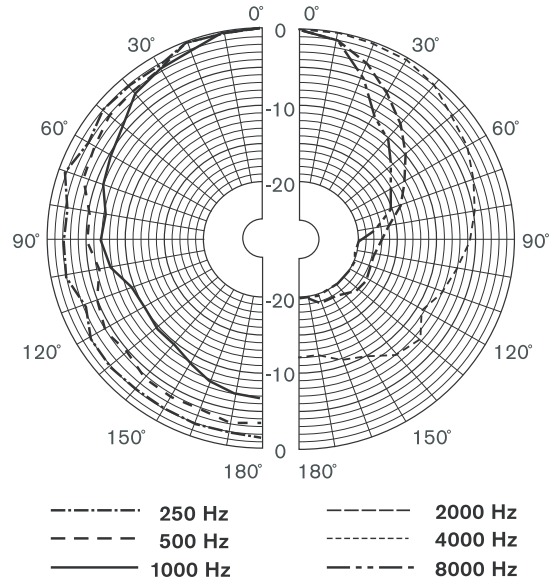
Polar diagram horizontal (measured with pink noise)



Circuit diagram



Frequency response



Polar diagram vertical (measured with pink noise)

Technical specifications

Electrical*

Maximum power	9 W
Rated power	6 / 3 / 1.5 W
Sound pressure level at 6 W / 1 W (1 kHz, 1 m)	99 dB / 91 dB (SPL)
Sound pressure level at 6 W / 1 W (4 kHz, 1 m)	100 dB / 92 dB (SPL)

Effective frequency range (-10 dB)	180 Hz to 20 kHz
Opening angle	1 kHz / 4 kHz (-6 dB)
horizontal	165° / 95°
vertical	158° / 73°
Rated input voltage	100 V
Rated impedance	1667 ohm
Connector	4-pole push-in terminal block

* Technical performance data acc. to IEC 60268-5

Mechanical

Dimensions (H x W x D)	240 x 151 x 139 mm (9.4 x 5.9 x 5.5 in)
Weight	1.5 kg (3.3 lb)
Color	Black (D) or white (L)
cabinet / cloth (D)	Matches RAL 9004 / RAL 9004
cabinet / cloth (L)	Matches RAL 9010 / RAL 7044

Environmental

Operating temperature	-25 °C to +55 °C (-13 °F to +131 °F)
Storage temperature	-40 °C to +70 °C (-40 °F to +158 °F)
Relative humidity	<95%

Ordering information

LB1-UW06-FD Unidirectional Cabinet Loudspeaker

6 W, black

Order number **LB1-UW06-FD**

LB1-UW06-FL Unidirectional Cabinet Loudspeaker

6 W, white

Order number **LB1-UW06-FL**

Represented by:

Americas:

Bosch Security Systems, Inc.
12000 Portland Avenue South
Burnsville MN 55337, USA
Phone: +1-800-392-3497
Fax: +1-800-955-6831
audiosupport@us.bosch.com
www.boschsecurity.com

Europe, Middle East, Africa:

Bosch Security Systems B.V.
P.O. Box 80002
5617 BA Eindhoven, The Netherlands
Phone: + 31 40 2577 284
Fax: +31 40 2577 330
emea.securitysystems@bosch.com
www.boschsecurity.com

Asia-Pacific:

Robert Bosch (SEA) Pte Ltd, Security Systems
11 Bishan Street 21
Singapore 573943
Phone: +65 6571 2808
Fax: +65 6571 2699
apr.securitysystems@bosch.com
www.boschsecurity.asia

China:

Bosch (Shanghai) Security Systems Ltd.
201 Building, No. 333 Fuquan Road
North IBP
Changning District, Shanghai
200335 China
Phone +86 21 22181111
Fax: +86 21 22182398
www.boschsecurity.com.cn

America Latina:

Robert Bosch Ltda Security Systems Division
Via Anhanguera, Km 98
CEP 13065-900
Campinas, Sao Paulo, Brazil
Phone: +55 19 2103 2860
Fax: +55 19 2103 2862
al.securitysystems@bosch.com
www.boschsecurity.com