

LB1-BW12-x Bidirectional Cabinet Loudspeakers

www.boschsecurity.com



BOSCH

Invented for life



Advantage Line

The LB1-BW12-x is a 12 W, cost-effective, bidirectional loudspeaker for indoor use. The baffle design creates a wide opening angle, making this loudspeaker very suitable for use in long corridors. Keyholes at the rear provide quick and easy wall mounting. The cabinet is available in black or white.

Features

- ▶ Good speech intelligibility and background music reproduction
- ▶ Wedge shaped design
- ▶ Available in black or white
- ▶ MDF construction
- ▶ Complies with international installation and safety regulations

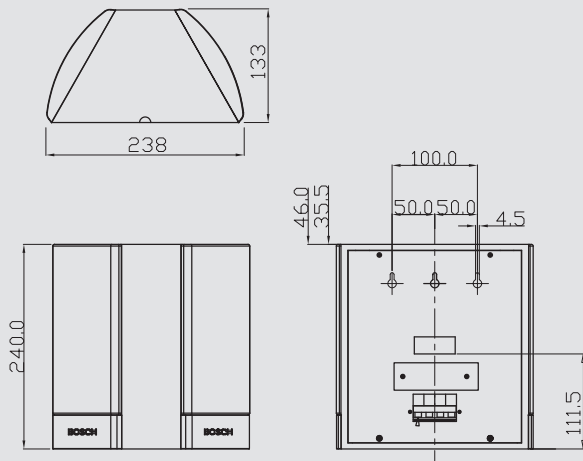
2 | LB1-BW12-x Bidirectional Cabinet Loudspeakers

Technical Specifications

Electrical*	
Maximum power	18 W
Rated power	12 / 6 / 3 W
Sound pressure level at 12 W / 1 W (1 kHz, 1 m)	97 / 86 dB (SPL)
Effective frequency range (-10 dB)	140 Hz to 20 kHz
Opening angle at 1 kHz / 4 kHz (-6 dB)	270° / 165°
Rated input voltage	100 V
Rated impedance	833 ohm
Connector	4-pole push-in terminal block
* Technical performance data acc. to IEC 60268-5	
Mechanical	
Dimensions (H x W x D)	240 x 238 x 133 mm (9.4 x 9.3 x 5.24 in)
Weight	1.5 kg (3.3 lb)
Color	Black (D) or white (L)
cabinet / cloth (D)	Matches RAL 9004 / RAL 9004
cabinet / cloth (L)	Matches RAL 9010 / RAL 7044
Environmental	
Operating temperature	-25 °C to +55 °C (-13 °F to +131 °F)
Storage temperature	-40 °C to +70 °C (-40 °F to +158 °F)
Relative humidity	<95%
Certifications and Approvals	
Safety	acc. to EN 60065

Installation/Configuration Notes

Three keyholes in the rear panel provide easy and quick wall mounting. A convenient, easy-to-use, four-pole push-in terminal block is present on the rear panel for on-site wiring. This terminal block has provision for power tapping on the 100-volt matching transformer in the cabinet. It allows selection of nominal full-power, half-power or quarter-power radiation (in 3 dB steps).



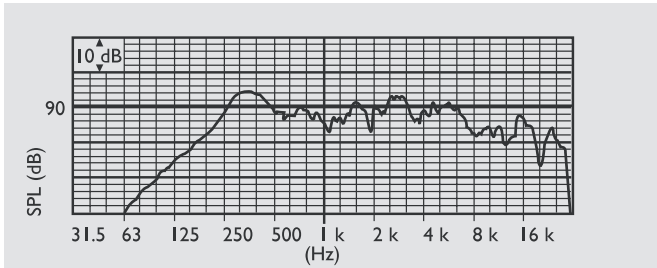
Dimensions in mm

Represented by:

Americas:
 Bosch Communications Systems
 12000 Portland Avenue South
 Burnsville, Minnesota 55337, USA
 Phone: +1-800-392-3497
 Fax: +1-800-955-6831
 audiosupport@us.bosch.com
 www.boschsecurity.com

Europe, Middle East, Africa:
 Bosch Security Systems B.V.
 P.O. Box 80002
 5600 JB Eindhoven, The Netherlands
 Phone: +31 40 2577 284
 Fax: +31 40 2577 330
 emea.securitysystems@bosch.com
 www.boschsecurity.com

Asia-Pacific:
 Robert Bosch (SEA) Pte Ltd
 11 Bishan Street 21
 Singapore 573943
 Phone: +65 6571 2600
 Fax: +65 6571 2698
 apr.securitysystems@bosch.com
 www.boschsecurity.com



Frequency response

Ordering Information

LB1-BW12-D Bi-Directional Cabinet Loudspeaker	LB1-BW12-D
LB1-BW12-L Bi-Directional Cabinet Loudspeaker	LB1-BW12-L